



# TERABEE

## TeraRanger Evo Swipe Plus

Detect people movement, trigger actions based on proximity, measure customer engagement and perform touchless gesture recognition. Evo Swipe Plus does it all in one compact and easy to integrate ToF sensor

Evo Swipe Plus is ideally suited to digital information screens and kiosks, interactive advertising, smart retail installations and all manner of touchless gesture recognition applications.

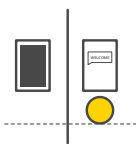
The sensor can be used in two configurations. One allows presence detection and counting, event triggering and touchless gesture control. In the other configuration presence detection is replaced with a bi-directional people traffic counter. This allows you to track how many people pass by your digital asset from right to left or left to right, and when, and to see how many people engage with it.

## Key features

- 4 modes in one small sensor module - Presence detection, bi-directional people traffic counting, event trigger, touchless gesture control
- Embedded algorithm for autonomous mode switching
- Small, discreet sensor (not a camera)
- GDPR compliant by design
- Easy integration. Ideal for OEM design-in projects



## Applications



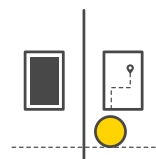
Trigger wake up and welcome message



Measure people interaction with your digital asset



Point of Sale traffic detection and customer engagement



Responsive display advertising

FLOOR

5  
4  
3  
1  
0



Touchless elevator panel

## Technical specifications

Part Number	TR-EVO-SWP-PL-USB TR-EVO-SWP-PL-UART
-------------	---

### Performance

Detection Principle	Infrared Time-of-Flight
Light Source Wavelength	940 nm
Use Environment	Indoor
Field of View	27°
Operation Modes	<ul style="list-style-type: none"> <li>• Presence detection</li> <li>• Bidirectional people traffic detection</li> <li>• Engagement trigger</li> <li>• Gesture recognition</li> </ul>

### Electronics

Supply Voltage $V_{IN}$	5V DC +/-5%
Current Consumption Average	50 mA
Initialization Time	< 1 s

### Communication

Serial Interface	USB 2.0 Micro-B UART, +3.3V level, 115200,8,1, None
Visual Notification	3 x LEDs (built-in backboards)

### Mechanical data

Dimensions	42 x 30 x 13 mm (incl. backboard)
Weight	9 g (incl. backboard)
Operating Temperature	-20° C to 75° C
Housing Material	ABS
Mounting Style	2 holes for M2 screws
Type of Connection	USB Backboard: USB 2.0 Micro-B I2C/UART Backboard: DF13-7p connector

### Conformity

Reference Standard	CE, RoHS
--------------------	----------

## Details of operation modes

Mode	Output
Presence detection	Detect the presence of people and count the number passing by the sensor
Bidirectional people traffic detection	Count the number of people passing by the sensor and their direction of travel: left or right
Engagement trigger	Detect when a person stands in front of the sensor and triggers <b>gesture recognition mode</b>
Gesture recognition	<p><b>Swipe:</b></p> <ul style="list-style-type: none"> <li>• Left to Right hand-movement</li> <li>• Right to Left hand-movement</li> </ul> <p><b>Validation:</b></p> <ul style="list-style-type: none"> <li>• Downward hand-movement to simulate a button press</li> </ul>

## Presence detection mode

Range mode	Long-Range
Range	~ 0.2 m to 3 m
Update Rate	20 Hz

## Bidirectional people traffic detection mode

Range mode	Long-Range
Range	~ 0.3 m to 1.7 m
Update Rate	25 Hz

## Engagement trigger mode

Range mode	Short-Range
Range	~ 0.5 m to 1.5 m
Update Rate	20-25 Hz

## Gesture recognition mode

For optimal performance, the user's body should be more than 0.5 m from the sensor, with their hand swiping in the 0.1 m to 0.5 m range of the sensor

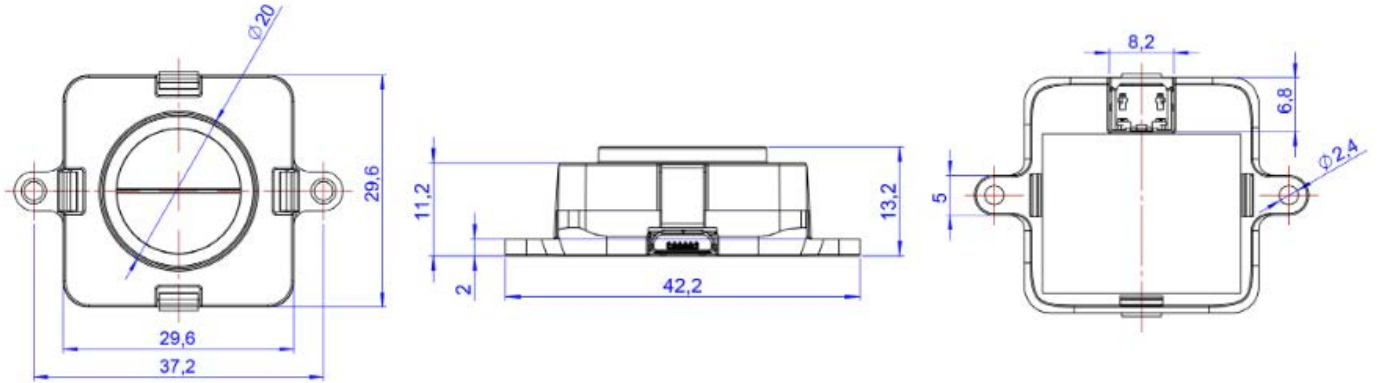
### Gesture mode (Left / Right)

Range mode	Short-Range
Range	~ 0.1 m to 0.5 m
Update Rate	25 Hz

### Gesture mode (Validation)

Range mode	Short-Range
Range	~ 0.01 m to 0.15 m
Update Rate	25 Hz

## Dimensions



## Installation

Back-panel installation



Front-panel installation



Have any questions? Contact us today!